



# CARRIER AIR PURIFIER

## USER MANUAL



Model No. : CARR-AP1201T

Please read this manual carefully, and follow the instructions strictly.  
Please keep it properly after reading for future reference.

Version : 02, Date : 16/11/2019

## Dear user

---

Thank you for choosing our products. Please read the instruction manual carefully for safe and efficient use of this product.

First of all, thank you for choosing the Carrier Air Purifier. I hope you have a healthy and comfortable living environment.

The problem of indoor air pollution is serious, and indoor air pollution mainly comes from natural air pollution, pollen, dust mites, Harmful gases (formaldehyde, second-hand smoke, sweaty body odor and other substances and odors.)

Because of the existence of these sources of pollution, people often have adverse reactions such as dizziness, drowsiness, cough, and nausea. Air quality of the room is important to your health.

We hope that by using the Carrier Air Purifier, you and your family will have a healthier and more comfortable living environment.

## Warning

---

This appliance is not intended for use by persons (including children) with reduced physical, sensory or mental capabilities, or lack of experience and knowledge, unless they have been given supervision or instruction concerning use of the appliance by a person responsible for their safety. Children should be supervised to ensure that they do not play with the appliance.

This appliance can be used by children aged from 8 years and above and persons with reduced physical, sensory or mental capabilities or lack of experience and knowledge if they have been given supervision or instruction concerning use of

the appliance in a safe way and understand the hazards involved . Children shall not play with the appliance. Cleaning and user maintenance shall not be made by children without supervision.

If the supply cord is damaged, it must be replaced by the manufacturer, its service agent or similarly qualified persons in order to avoid a hazard.

Prior to cleaning or other maintenance, the appliance must be disconnected from the supply mains.

## Safety Precautions

---



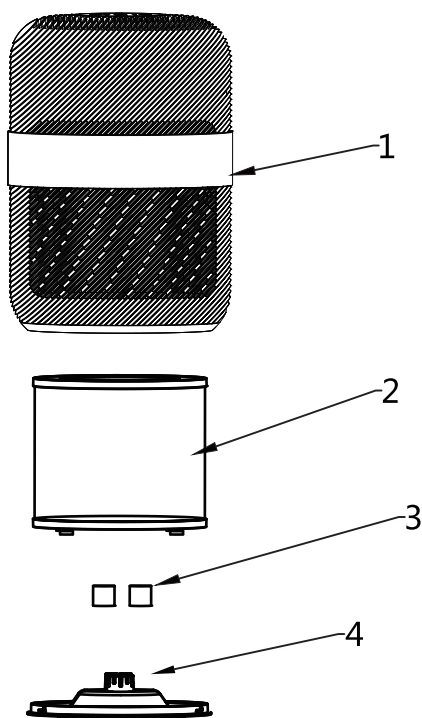
In order to prevent damage to users and other personnel and to avoid property damage, please be sure to observe the following:

- Never use liquids to clean air purifiers such as water, detergents or flammable solvents.
- When cleaning the air purifier, Please disconnect the purifier from the power source. Wipe it only with a soft rag.
- Carrier air purifiers use precision components. Please use it properly to prevent it from falling or being damaged!
- Keep the Carrier air purifiers around unobstructed. Do not cover the Carrier Air Purifier' s air inlet and outlet.
- For the environmental protection to do a part of your effort. Never discard the purifier with household waste.
- Bring the purifier to a nearby official garbage collection center. Filters are classified as household rubbish

## Product usage guide



product structure  
(As shown below )



1. Main body

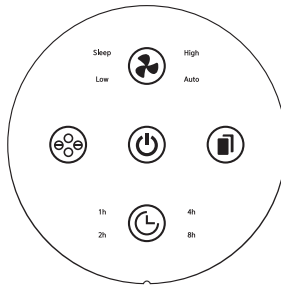
2. HEPA Filter

3. Aromatherapy sponge

4. Bottom cover

# Function introduction

## 1. Control Panel



Icon	Function Description
	Power on/off
	Wind speed adjustment "Low" → "High" → "Auto" → "Sleep"
	Negative ion button
	Filter reset
	Timing adjustment 1H→2H→4H→8H

## 2. Standby

Insert the plug of air purifier into power source, the buzzer will ring, and all the indicators will lighten. After three seconds, air purifier is in standby mode, "power button" indicator lights up, and the other icons do not lights up.

## 3. Power on/off

Tap the top power icon to switch the power on and off, the default wind speed is low, and the child lock is off.



## 4. Speed button

Wind speed adjustment "Low" → "High" → "Auto" → "Sleep", Loop in turn. Press the wind speed button for 5 seconds to connect the Wi-Fi function (refer to the Wifi connection guide pages for details)


## 5. Negative ions

Touch the negative ion icon to turn the negative ion function on or off. The full light of the icon light turns off the negative ion function, and the icon light flashes to turn on the negative ion function.



### 6. Replace the filter

When the air purifier is turned on, it will count down, turn off the air purifier and restart, it will continue to count down. When the filter replacement is accumulated for 2000 hours, the replacement filter indicator light  will flash, and the buzzer will beep. After replacing the new filter, keep pressing the filter reset icon for three seconds  icons light fully light up and do not flash. At the same time the buzzer is turned off.

### 7. Timing Function

Touch the timing icon , adjust the countdown shutdown time 1H 2H 4H 8H Loop in turn.

### 8. Sleep stalls

Touch the wind speed adjustment icon , adjust to the sleep gear position, enter the sleep mode, all the lights are off, only the wind speed icon light and the sleep gear light are half bright, touch the wind speed icon  to exit the sleep mode.

## Instructions

※Before you turn on the machine for the first time, be sure to remove the Filter wrapping before you use it.

### 1. Air purifier filter installation

Grasp the bottom cover handle by hand (the position shown by the arrow in Figure 1) and turn the bottom cover in the direction of unlocking. Then take out the filter (the item shown by the arrow in Figure 2), remove the Filter wrapping, and put the filters back, then insert the bottom cover into the fuselage and turn it in the direction of the lock.

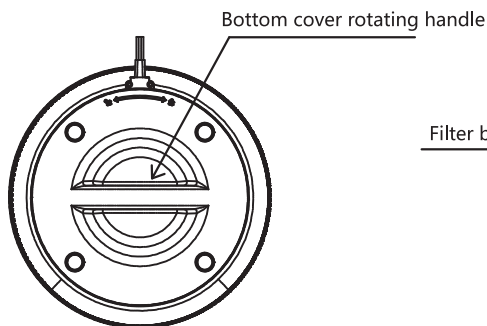


Figure 1

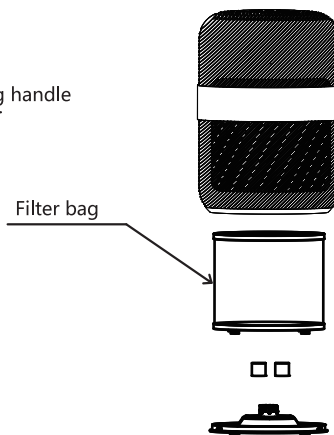
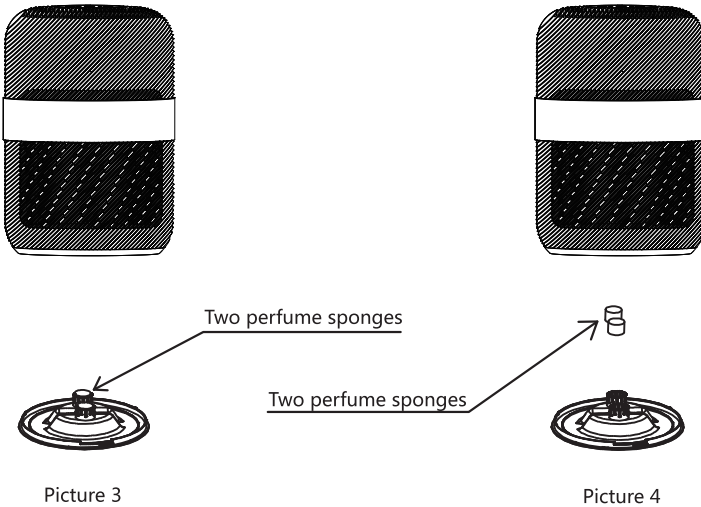


Figure 2

## 2. Aromatherapy function

There are two special perfume sponges inside the bottom cover of the machine. You can drop the perfume of your favorite scent onto the sponge (as shown by the arrow in Picture 3). When the machine is working, there will be a trace of wind passing through this area, and the scent will slowly emanate with the breeze, giving you a more comfortable living environment. You can also choose to put the fragrance particles your own preferences into it. Remove the sponge when using the fragrance particles (as shown by the arrow in Picture 4).



### Air quality indicator

1. The machine is equipped with a high-precision particle sensor. After starting the machine, it automatically checks the content of particles in the air near the machine. At the same time, it is displayed by the light in the machine after the chip is converted (as shown by the arrow in Picture 5).

2. There are 4 colors of air quality indicator, which are blue, green, purple and red. Blue means that the harmful gas content in the air is very low (air quality is excellent), green means less harmful air in the air (air quality is good), and purple means that the harmful gas content in the air has not reach to standard (air quality "Medium"), red means harmful gases in the air excessive content (poor air quality)

## FAQ

### Press the power button does not turn on

- Is the power plug plugged in?
- Is the fuse in your home broken?
- Is it a power outage?
- Is the front cover installed correctly or stuck in wrong place?
- Please contact customer service center for other abnormalities or malfunctions.

### The sound is very noisy

- Whether the machine is placed has deflection
- Uneven floor
- Whether the filter is blocked or needs to be replaced
- The air inlet is blocked
- Please contact customer service center for other abnormalities or malfunctions.

Please make sure to check the long-term used air purifier		
Are there any such phenomena?	There is burnt smell, power cord, plug abnormal heat	Please cut off the power, unplug and contact the dealer.
	High operating noise	
	Frequent start of leakage insurance	
	Other abnormalities or malfunctions	

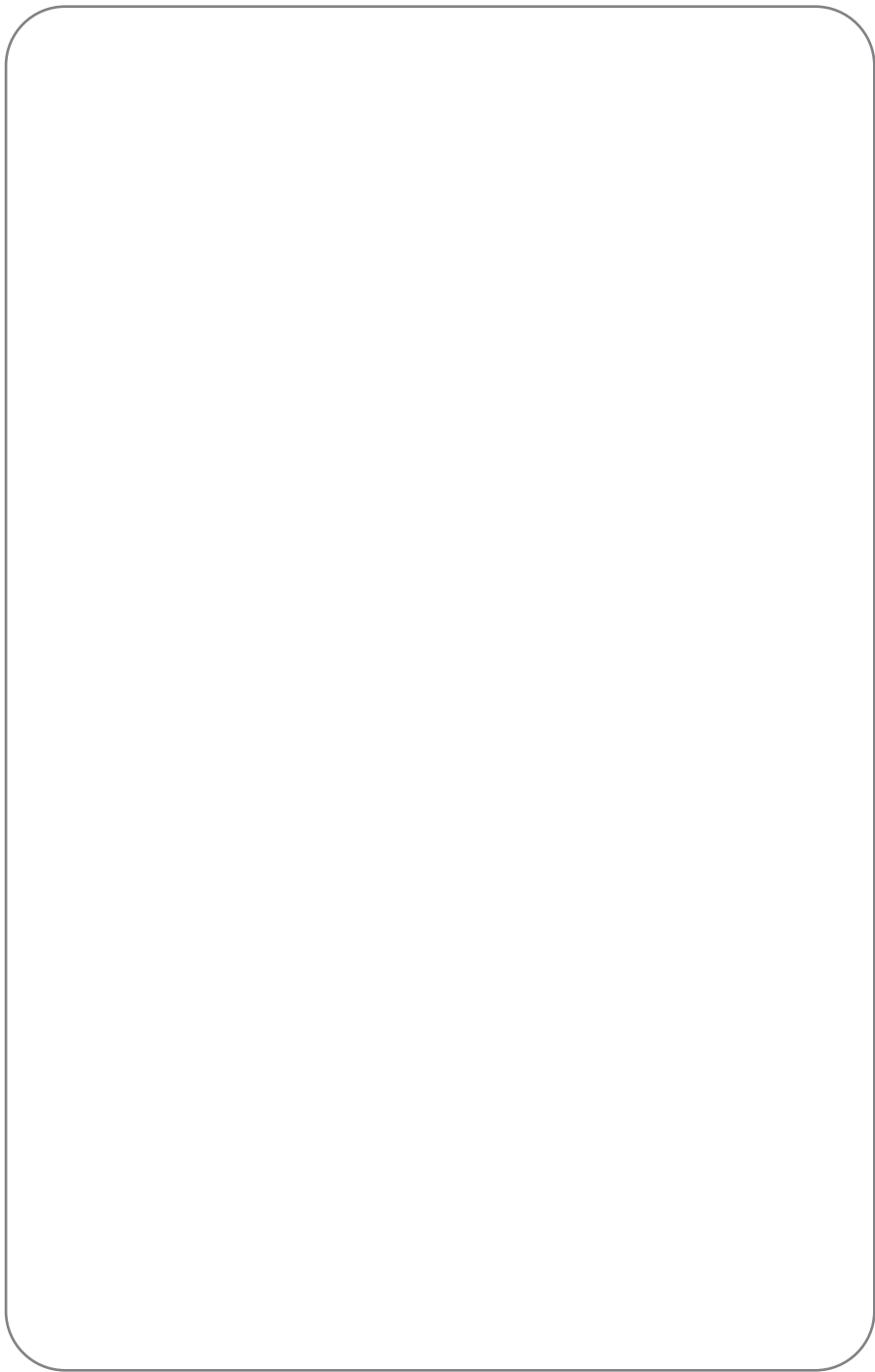


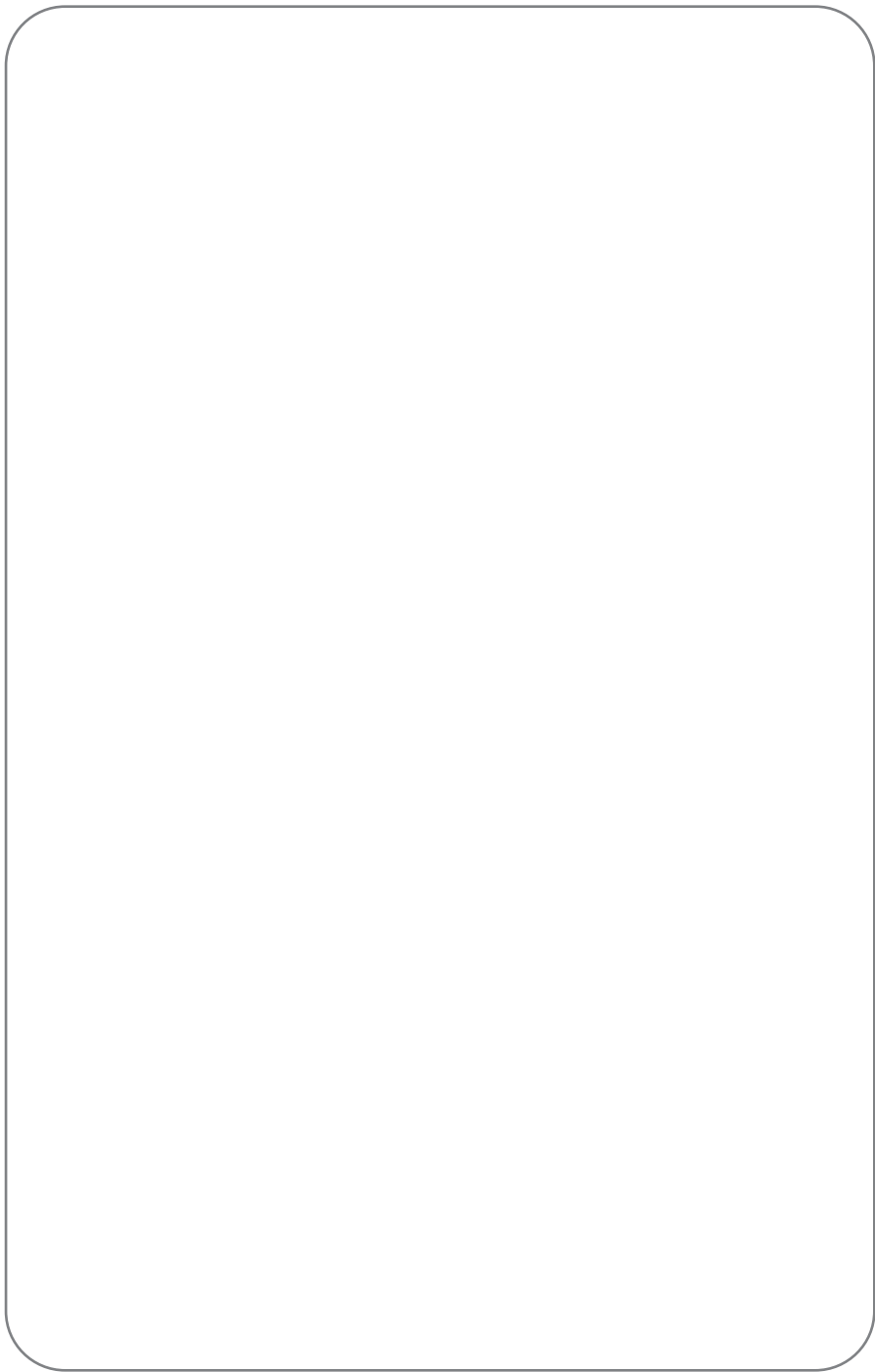
### Precautions when place

Note	1. Use in a flat and strong place to avoid short circuit, electric leakage, fire, etc. due to dumping during use.
	2. Use in places where water is not easily accessible, avoiding the cause of short circuit and fire
	3. Do not place containers such as vases of water on the body of the machine to avoid insulation cracking after seepage into the machine, causing leakage, short circuit, fire and damage to this product.
	4. It is not used in places where oil or flammable gas may leak, so as to avoid leakage and concentrated around the machine, which may cause fire or fire.
	5. It is used indoors and is not used in places where there is direct sunlight and is exposed to rain.

### Precautions when using

Warning	1. Please do not block the air inlet and outlet of the product to avoid overheating inside the machine and damage the product.
	2. Not placed next to the heating appliance, there is a possibility that the melting body will cause a fire.
	3. Do not dismantle the product for renovation, to avoid fire, electric leakage, injury.
	4. In the case of long-term no use, remove the plug from the socket for safety.
	5. Do not move the product while the machine is working, to avoid leakage.
	6. Unplug the power cord when cleaning the product, replacing or cleaning the filter.
	7. After the machine has stopped running for 3 minutes, the front panel can be opened to prevent the wind wheel from being damaged by inertia.
	8. Do not sit on the body of the machine to avoid injury from tilting or tipping over.
	9. Does not cause damage to the power cord, the weight, clamping, and lifting will cause the power cord to break, causing short circuit, poor contact, fire, etc.







For more details, please contact our Carrier Thailand sales office

SALE AND MARKETED By : Carrier (Thailand) Ltd.

1858/63-74, 14-15th Floor, Debaratna Road, Km.4.5, Bangna Tai, Bangna, Bangkok 10260 Thailand

Tel: 0-2090-9999 Fax: 0-2751-4778



This manual provides certain general information and is intended for guidance only and Carrier is not liable for any damage arising out of the use of the catalogue. The manufacturer reserves the right to change any product specification without prior notice.

All Proprietary Rights Reserved by Carrier.